

Injector Door

Original spare parts

Injector Door Ltd.

Eystein Elttør

Tel.: +298 28 06 06

Mail: ee@injector-door.eu

Web: www.injector-door.eu



All Injector trawl doors are supplied with original spare parts produced and/or certified by Injector Door Ltd. quality control.

*For and on behalf of Injector Door Ltd.
Sales Manager*



Eystein Elttør

Injector Door Ltd.

Eystein Elttør

Tel.: +298 28 06 06

Mail: ee@injector-door.eu

Web: www.injector-door.eu



T-58

Casted manganese bolted shoe for 140mm keel.
Measurement 484mm x 183mm x 200mm.
Weight 59kg



T-75

Casted manganese bolted shoe for 120mm keel.
Measurement 484mm x 163mm x 200mm.
Weight 56kg



T-55

Casted manganese bolted shoe for 75mm keel.
Measurement 484mm x 118mm x 200mm.
Weight 48kg



T-40

Casted manganese bolted shoe for 50mm keel.
Measurement 484mm x 93mm x 200mm.
Weight 46kg

Injector Door Ltd.

Eystein Elttør

Tel.: +298 28 06 06

Mail: ee@injector-door.eu

Web: www.injector-door.eu



T-22

Casted manganese bolted shoe for smaller trawl doors with 75mm keel.

Measurement 410mm x 115mm x 112mm.

Weight 22kg



SA-21

Casted manganese bolted shoe for smaller trawl doors with 50mm keel.

Measurement 410mm x 89mm x 112mm.

Weight 21kg



T-54

Casted manganese wear plate with double angle for T-58 bolted shoes.

Measurement 497mm x 228mm x 65mm.

Weight 46kg



T-50

Casted manganese wear plate with double angle for T-75 bolted shoes.

Measurement 497mm x 208mm x 65mm.

Weight 44kg

Injector Door Ltd.

Eystein Elttør

Tel.: +298 28 06 06

Mail: ee@injector-door.eu

Web: www.injector-door.eu



T-35

Casted manganese wear plate with double angle for T-55 bolted shoes.

Measurement 497mm x 163mm x 65mm.

Weight 36kg



T-31

Casted manganese wear plate with double angle for T-40 bolted shoes.

Measurement 497mm x 138mm x 65mm.

Weight 33kg

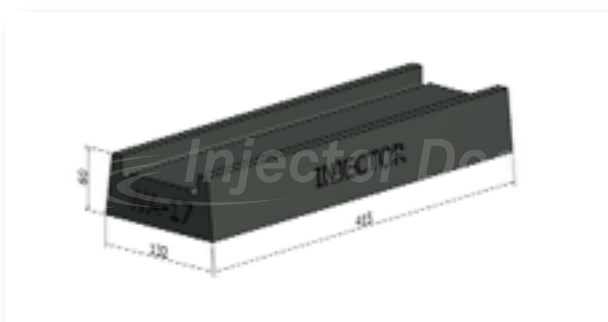


T-24

Casted manganese wear plate with double angle for T-22 bolted shoes.

Measurement 415mm x 160mm x 60mm.

Weight 24kg



WA-17

Casted manganese wear plate with double angle for WA-21 bolted shoes.

Measurement 415mm x 132mm x 60mm.

Weight 22kg

Injector Door Ltd.

Eystein Elttør

Tel.: +298 28 06 06

Mail: ee@injector-door.eu

Web: www.injector-door.eu



T-28

Casted manganese wear plate with one angle for T-58 and T-75 bolted shoes.

Measurement 495mm x 135mm x 135mm.

Weight 29kg



T-39

Casted manganese wear plate with one angle for T-58 and T-75 bolted shoes.

Measurement 490mm x 140mm x 105mm.

Weight 34kg



T-36

Casted manganese wear plate.

Measurement 380mm x 120mm x 30mm.

Weight 29kg



T-38

Casted manganese wear plate for T-75 bolted shoes.

Measurement 495mm x 120mm x 30mm.

Weight 39kg

Injector Door Ltd.

Eystein Elttør

Tel.: +298 28 06 06

Mail: ee@injector-door.eu

Web: www.injector-door.eu

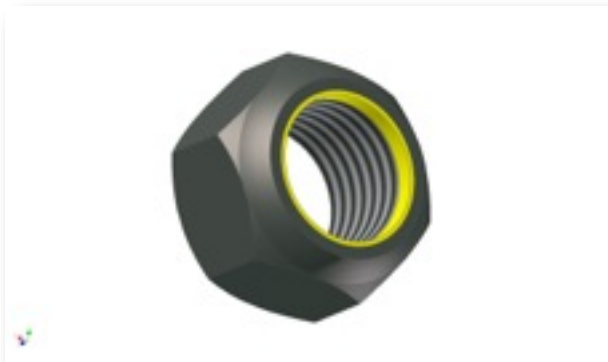


T-42

Casted manganese wear plate for T-58 and T-75 bolted shoes.

Measurement 497mm x 220mm x 50mm.

Weight 44kg



M30 Nuts

Nuts 30mm with nylon lock - quality 10,5.



B140x30

Bolts 140mm x 30mm - quality 8,8.

Fit to shoes T-40 and SA-21 with 50mm keel



B160x30

Bolts 160mm x 30mm - quality 8,8.

Fit to shoes T-55 and T-22 with 75mm keel

Injector Door Ltd.

Eystein Elttør

Tel.: +298 28 06 06

Mail: ee@injector-door.eu

Web: www.injector-door.eu



B200x30

Bolts 200mm x 30mm - quality 8,8.
Fit to shoe T-75 with 120mm keel



B220x30

Bolts 220mm x 30mm - quality 8,8.
Fit to shoe T-58 with 140mm keel



Stainless pins for main wire bracket - PIN12,0

12,0T stainless steel pin for main wire bracket.
Total length: 470,7mm.
Inside length (Nut to nut): 380,0mm.
Diameter: \varnothing 35,0
Nut: M30
Split pin: SP8x100mm - \varnothing 5,5
Use with door size: 3,5m² - 5,0m²



Stainless pins for main wire bracket - PIN17,0

17,0T stainless steel pin for main wire bracket.
Total length: 514,0mm.
Inside length (Nut to nut): 400,0mm.
Diameter: \varnothing 42,0
Nut: M40
Split pin: SP8x100mm - \varnothing 5,5
Use with door size: 5,0m² - 6,0m²

Injector Door Ltd.

Eystein Elttør

Tel.: +298 28 06 06

Mail: ee@injector-door.eu

Web: www.injector-door.eu



Stainless pins for main wire bracket - PIN25,0

25,0T stainless steel pin for main wire bracket.

Total length: 666,0mm.

Inside length (Nut to nut): 530,0mm.

Diameter: $\varnothing 50,0$

Nut: M48

Split pin: SP8x100mm - $\varnothing 6,5$

Use with door size: 6,0m² - 8,0m²



Stainless pins for main wire bracket - PIN35,0

35,0T stainless steel pin for main wire bracket.

Total length: 784,0mm.

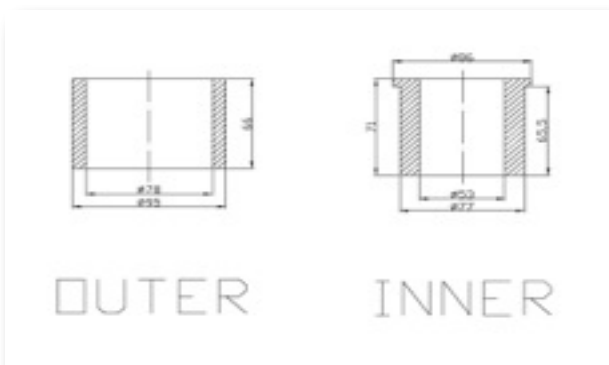
Inside length (Nut to nut): 600,0mm.

Diameter: $\varnothing 55$

Nut: M52

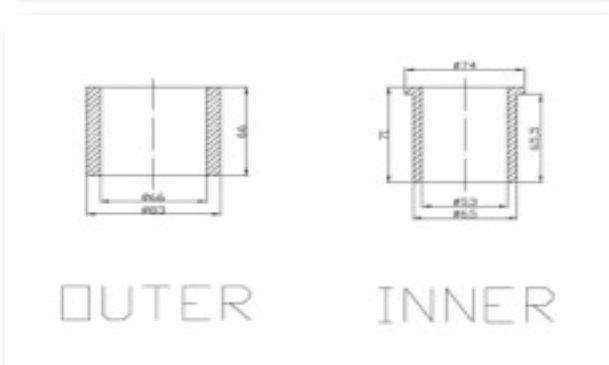
Split pin: SP8x100mm - $\varnothing 6,5$

Use with door size: 8,5m² -



B-25TO / B-25TI - Thick

Outer bushing 25T / Inner bushing 25T for Shark model main wire bracket



B-25TO / B-25TI - Thin

Outer bushing 25T / Inner bushing 25T for Shark model main wire bracket

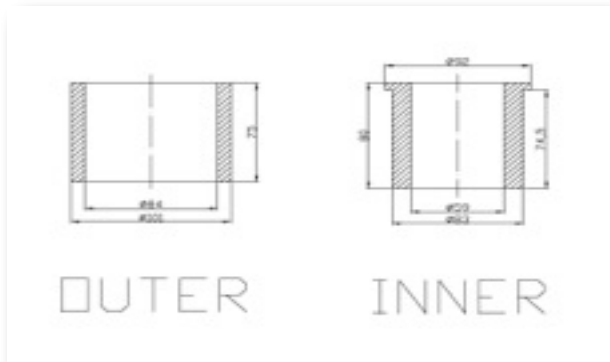
Injector Door Ltd.

Eystein Elttør

Tel.: +298 28 06 06

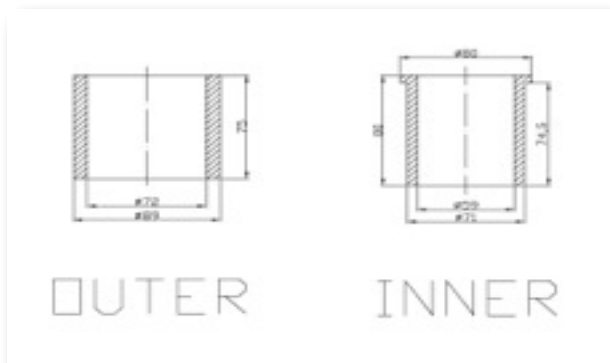
Mail: ee@injector-door.eu

Web: www.injector-door.eu



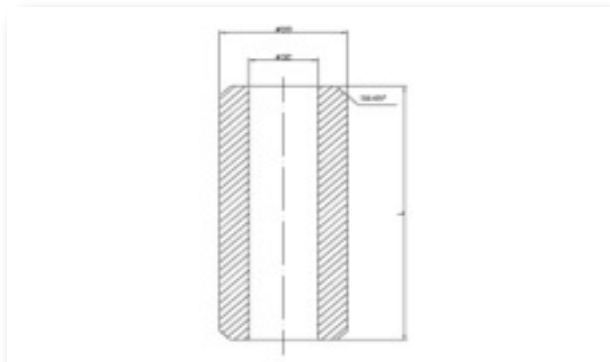
B-35TO / B-35TI - Thick

Outer bushing 35T / Inner bushing 35T for Shark model main wire bracket



B-35TO / B-35TI - Thin

Outer bushing 35T / Inner bushing 35T for Shark model main wire bracket

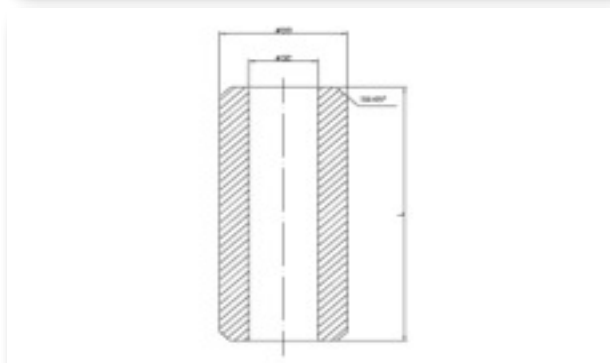


B-140

Bushing for 140mm keel.

Bushing length 140mm

Outer diameter $\varnothing 59$ / Inner diameter $\varnothing 32$



B-120

Bushing for 120mm keel.

Bushing length 120mm

Outer diameter $\varnothing 59$ / Inner diameter $\varnothing 32$

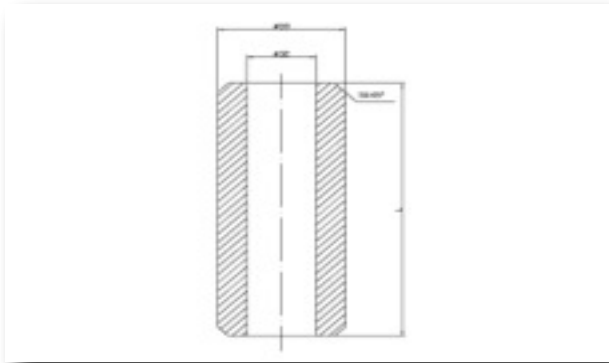
Injector Door Ltd.

Eystein Elttør

Tel.: +298 28 06 06

Mail: ee@injector-door.eu

Web: www.injector-door.eu

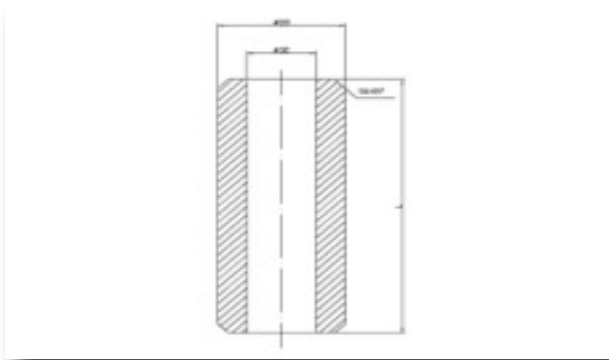


B-75

Bushing for 75mm keel.

Bushing length 75mm

Outer diameter ø59 / Inner diameter ø32



B-50

Bushing for 50mm keel.

Bushing length 50mm

Outer diameter ø59 / Inner diameter ø32